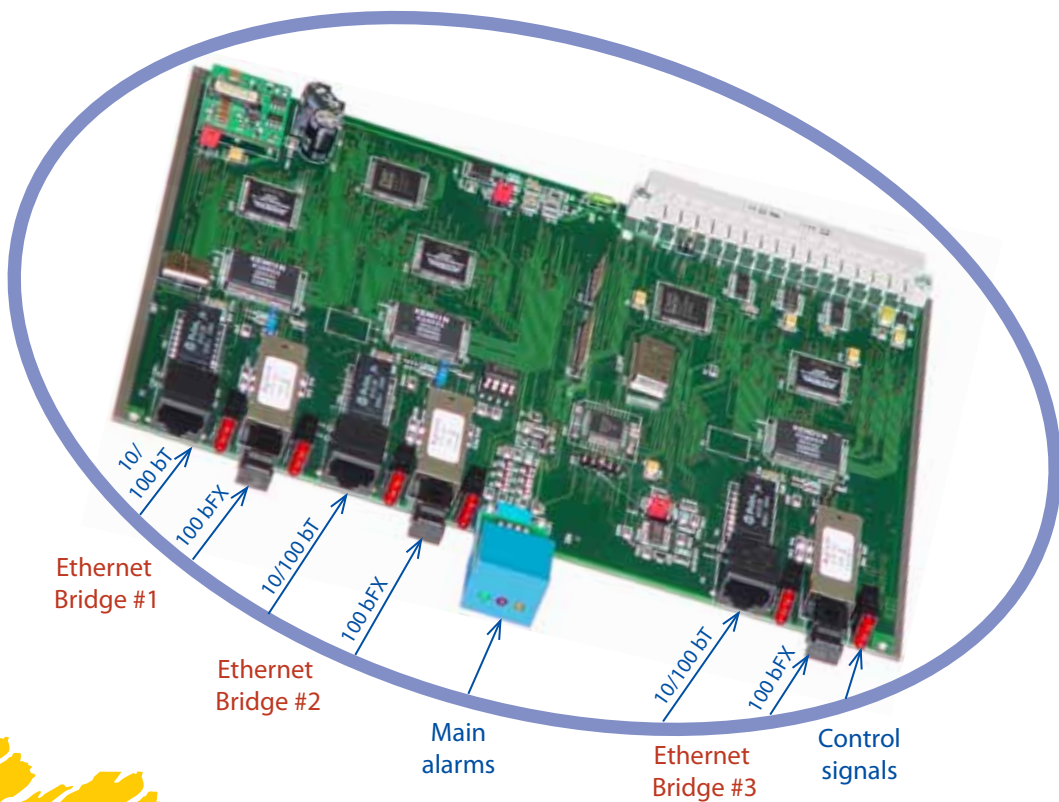




PET

3 digital nx64 kbit/s Ethernet Bridge subscribers with 10/100BaseT or 100BaseFX interface

- Provides connection of remote LAN network with Ethernet 10/100Base-TX or 100Base-FX interface via telecommunication network with $n \times 64$ kbit/s data rate
- Programming the number (1 do 31) of 64 kbit/s channels for any of 3 digital subscribers



PET n x 64 kbit/s Ethernet Bridge subscriber unit

Applications

PET unit, as tributary unit within multiplexers, is used when subscriber want to connect devices with Ethernet 10/100 Base-T or 10/100 Base FX interfaces through the transport telecommunication network. Any of 3 ports realize the Switch function on level 2 (MAC level). PET unit can be programmed at nx64 kbit/s rate on Ethernet Bridge interface to the transport network.

Basic functions

- 3 independent Ethernet Switches on one unit, 10/100 Base T/100 Base FX interface and one internal WAN interface for nx64 kbit/s Ethernet Bridge function
- Electrical Ethernet interfaces (10/100 BaseT) support auto negotiation procedure which determine the type of interface (10 or 100 Mbit/s, full or half duplex)
- All three Ethernet Switches can be configured for VLAN
- Support for QoS priority choice according to the port or IEE802.1p
- LED diodes for links activity, full/half duplex transmission and data rate

- Integrated control and monitoring
- When autonegotiation is switched off it is possible to programme all three 10/100 BaseT ports independently
- Flow control for full duplex transmission according to IEE802.3x or back pressure flow control for half duplex transmission
- Automatic address learning for MAC frame switching

TECHNICAL DATA

Ethernet 10/100 BaseT

Transport type	duplex
Electrical characteristics	IEEE 802.3
Transmission	symmetrical
Section length (UTP cable class 5)	135 m
Connector	RJ45

Ethernet 100 BaseFX

	SFP plug-in module
Transport type	duplex
Optical characteristics	IEEE 802.3
Transmission	singlemode optical fibre
Section length	2000 m
Connector	SC

